

8

7

6

5

4

3

2

1

D

D

C

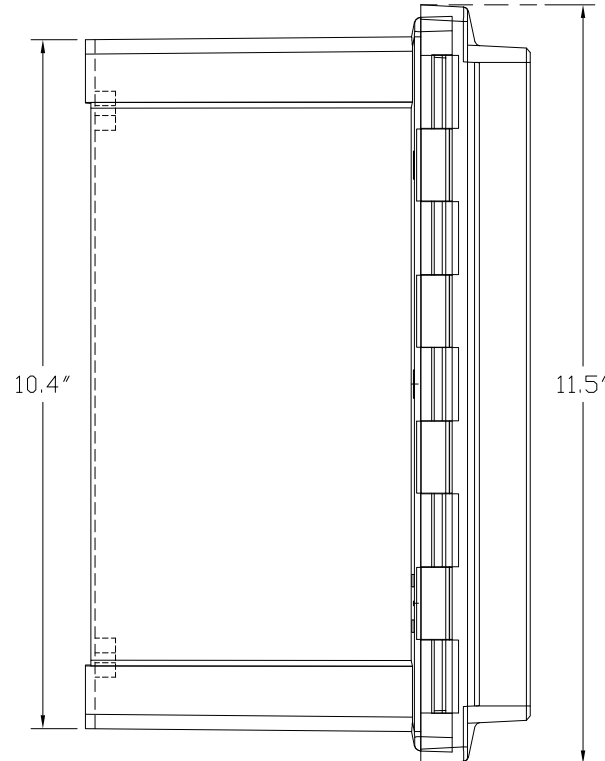
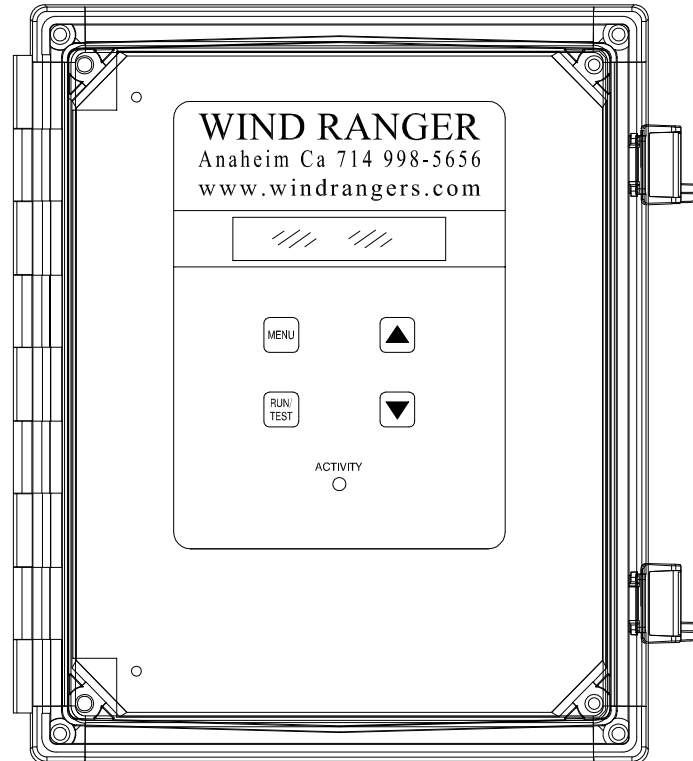
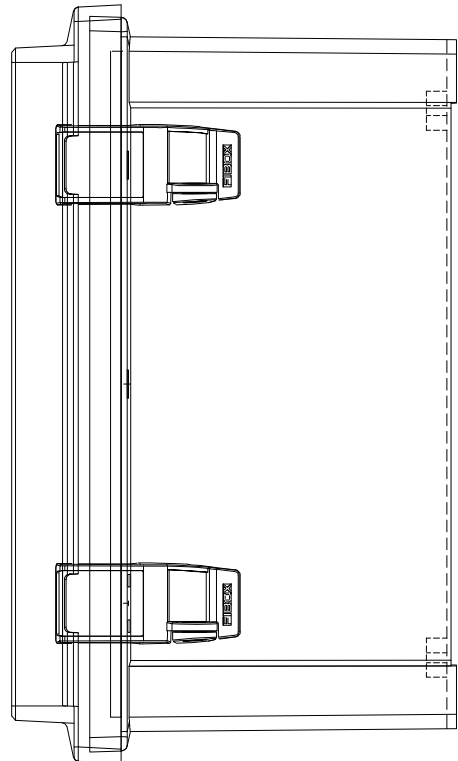
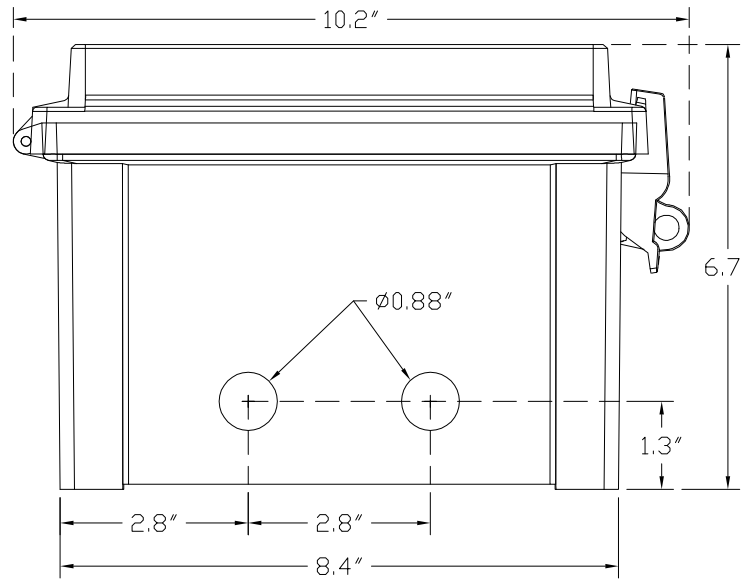
C

B

B

A

A



NO.	REVISION DESCRIPTION	REV BY	CHK BY	APP. BY	DATE
D	PEM STUD ADDITION	S Mc.			01/23/15

**SOUTH COAST CONTROLS**

8065 East Crystal Drive  
ANAHEIM, CA 92807  
PHONE (714) 998-5656  
FAX (714) 998-6565  
WWW.SOUTHCOASTCONTROLS.COM



**-CONFIDENTIAL-**  
NOT TO BE DISCLOSED, USED OR DUPLICATED  
EXCEPT AS AUTHORIZED IN WRITING BY SOUTH COAST CONTROLS

DR. SDM	I.D. NO.:
DSGN.	PROJECT NO.
CK.	DWG. SCALE
AP.	PLOT SCALE
DATE 01/21/17	
SCC Ser. WR10JA000-FB	SHEET 1 OF 2

CUSTOMER:	SOUTH COAST CONTROLS	
TITLE:	WINDRANGER DIM LAYOUT FIBOX ENCLOSURE	
DWG. No.	WR10JA000-FB-M13	REV. No. H

8

7

6

5

4

3

2

1